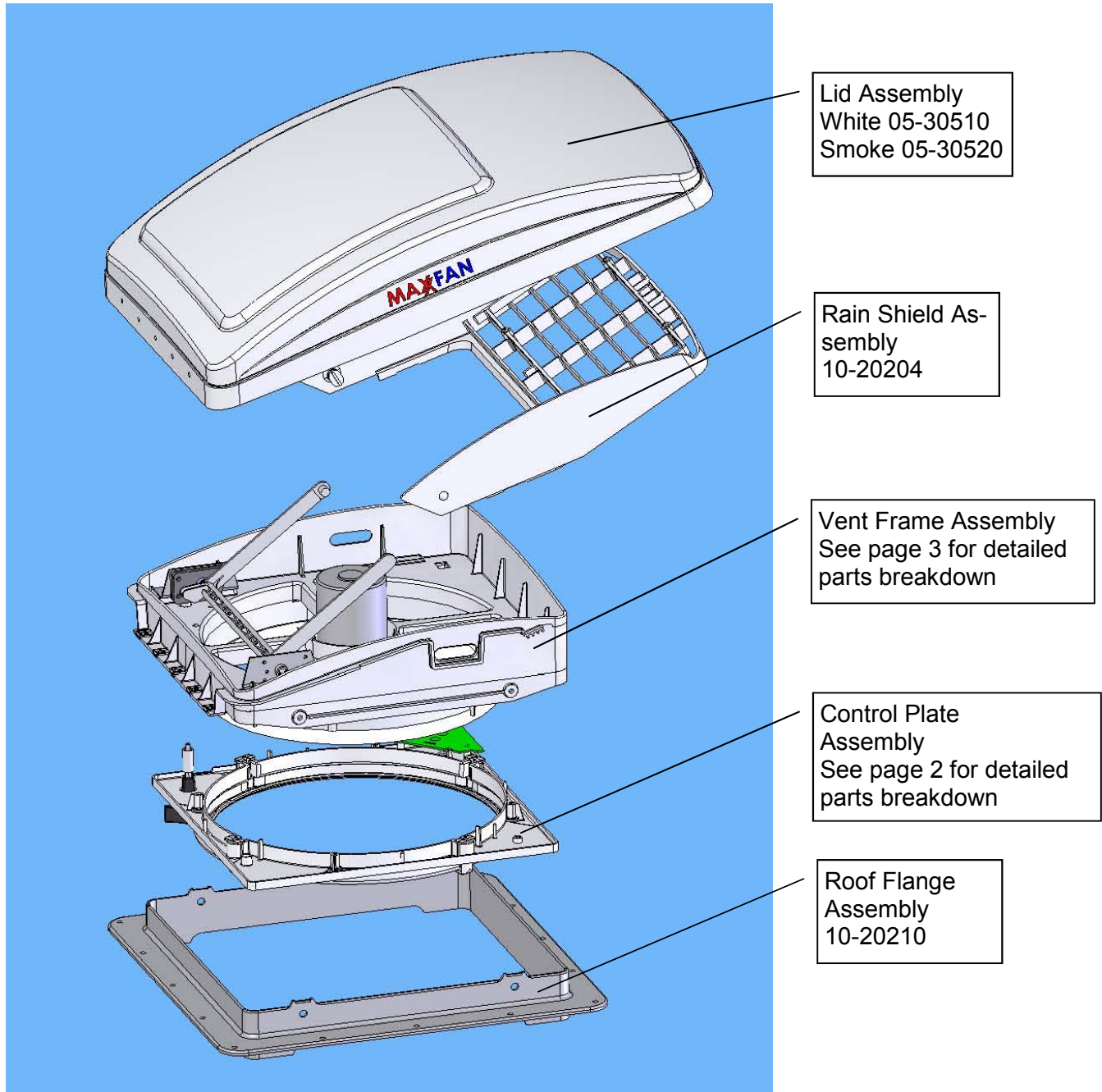


MaxxFan Deluxe Exploded Views

MaxxFan Deluxe Model 5100K - 8501K

KeyPad models

Be sure to have the serial number of your MaxxFan available when calling about parts.



MaxxAir Vent Corp.

5513 W Sligh Ave

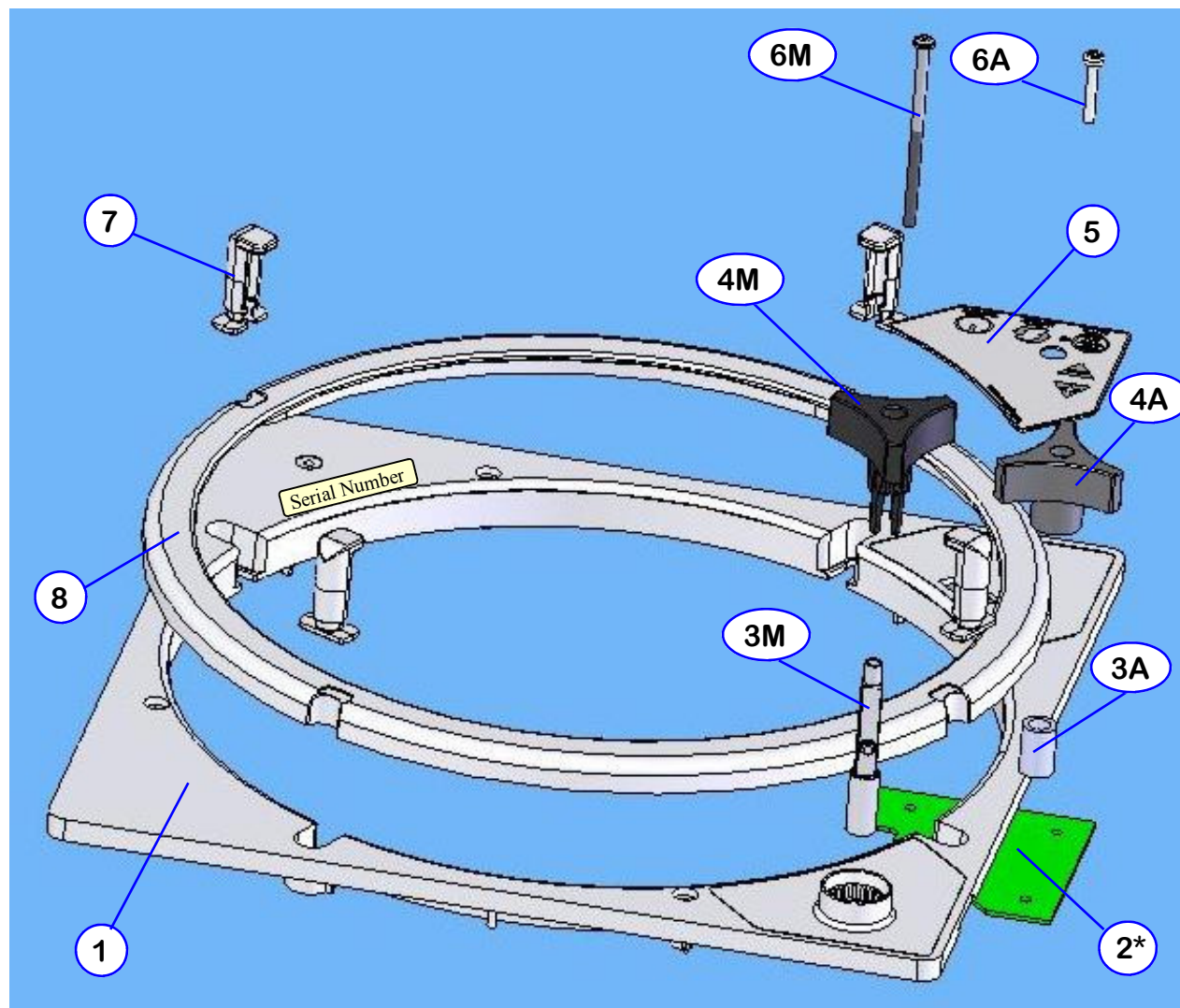
Tampa, FL 33634

Customer Service:

800.780.9893

custservice@maxxair.com

Control Plate Assembly Detail

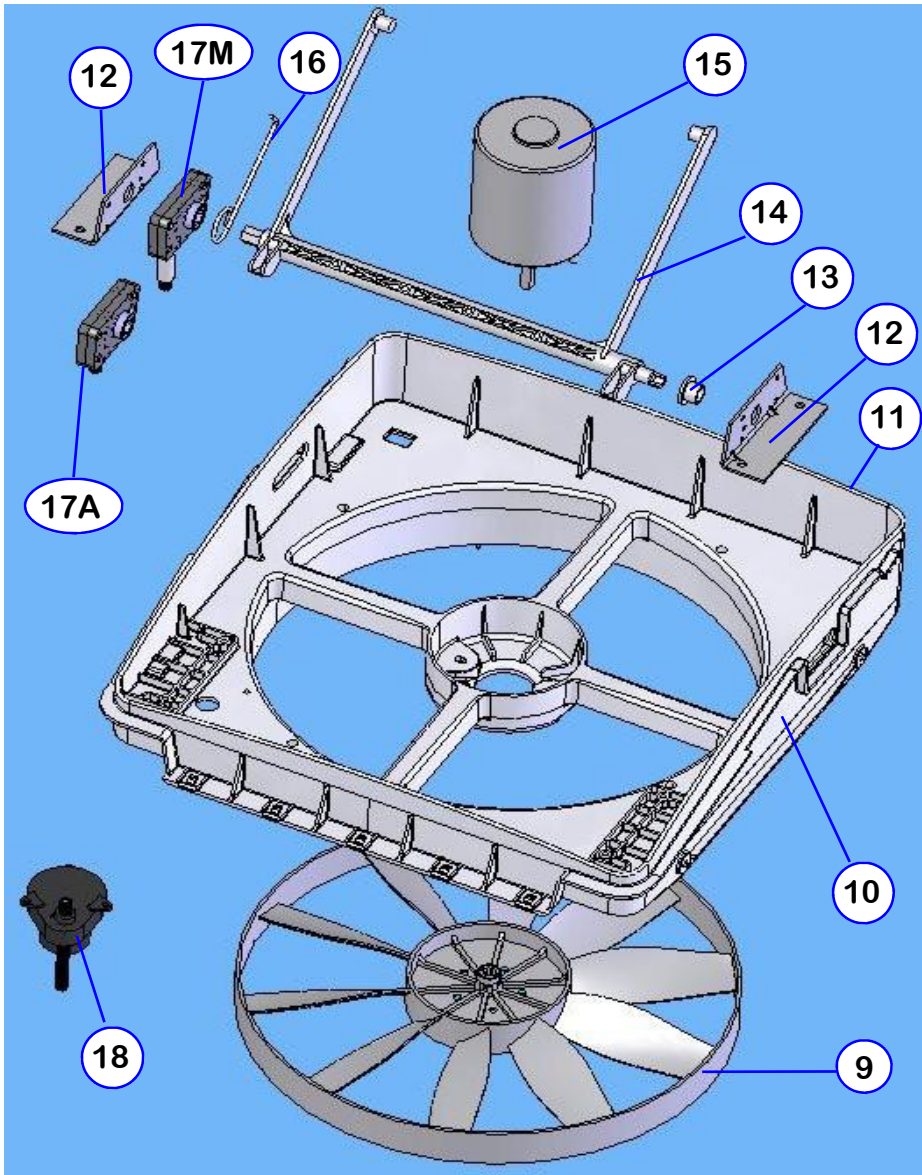


LABEL	PART NUMBER	DESCRIPTION	Quantity	Comments
1	05-20226K	Control Plate	1	
2M	10-21276K	PCB	1	used on models 5100K-6201K
2A	10-21275K	PCB	1	used on models 7000K-8501K
3M	10-21232K	Shaft, Locking Knob	1	used on models 5100K-6201K
3A	10-20277K	Coupler, Lift Motor	1	used on models 7000K-8501K
4M	05-21236K	Knob, Locking	1	used on models 5100K-6201K
4A	10-20233K	Knob, 3 wing	1	used on models 7000K-8501K
5	Call MaxxAir with MaxxFan serial number	Keypad	1	
6M	10-21241K	Screw, Locking Knob	1	used on models 5100K-6201K
6A	10-20265K	Screw, Knob, 3 wing	1	used on models 7000K-8501K
7	05-21233K	Finger, Screen	4	
8	05-30925	Screen, Round Interior	1	
Not shown	10-20211K	Garnish Ring, Interior	1	

Note: **M**=Manual Opening models, **A**=Automatic (Remote) Opening models

Rev Dec2010

Vent Frame Assembly Detail



LABEL	PART NUMBER	DESCRIPTION	Quantity	Comments
9	10-20258K	Fan Blade	1	
10	10-21217K	Vent Frame	1	
11	10-20233K	Rubber Seal	1	
12	10-40011K	Bracket	2	
13	10-20287K	Bushing	1	
14	10-20222K	Lifter Arm	1	
15	10-20966	Motor, Fan	1	
16	10-20243K	Spring, Lid	1	
17M	10-20281K-3C	Operator Mechanism, Manual Lift	1	used on models 5100K-6201K
17A	10-20281K-1A	Operator Mechanism, Automatic Lift	1	used on models 7000K-8501K
18	10-20270	Motor, Lift	1	used on models 7000K-8501K

Note: **M**=Manual Opening models, **A**=Automatic (Remote) Opening models

Rev Dec2010