

## **TUFF / MAXX A/C REPLACEMENT COVER INSTALLATION INSTRUCTIONS**

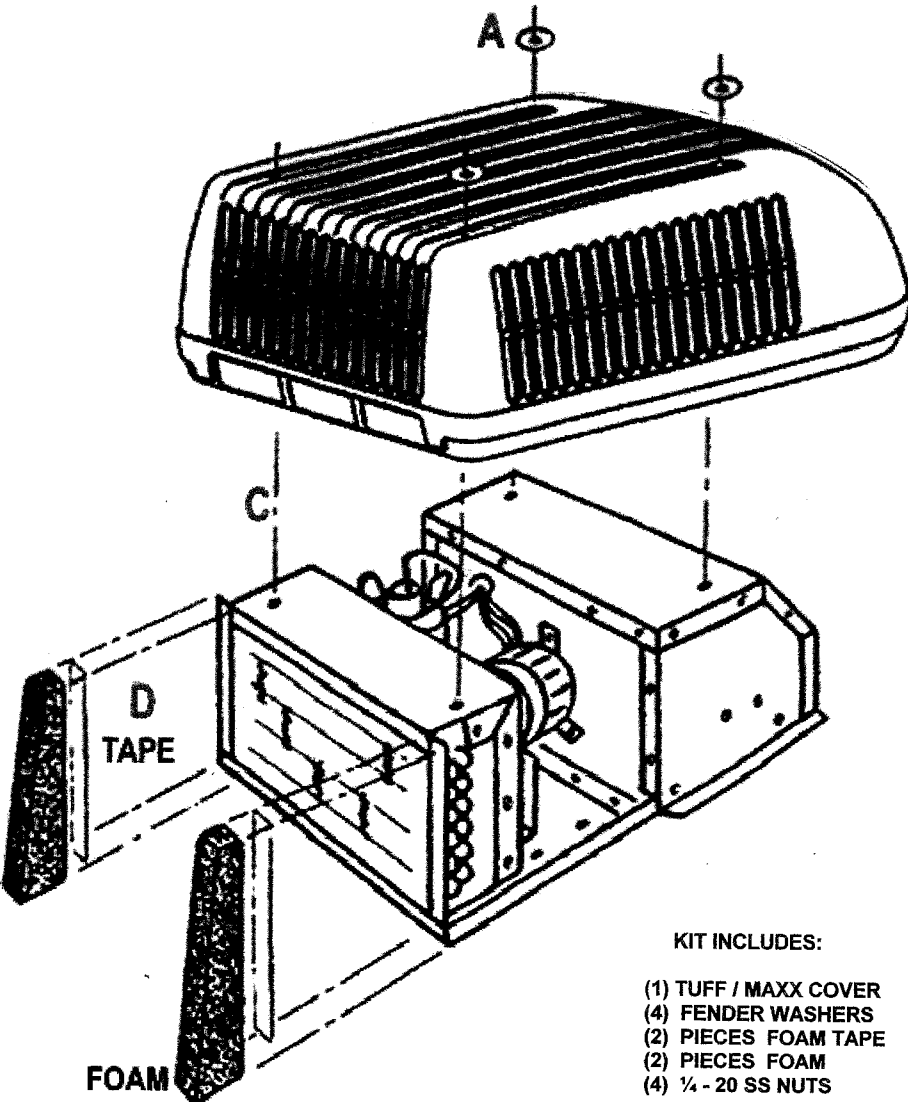
P/N 00-325001

- A. Remove old A/C Cover and old foam at rear of unit.
- B. Clean old foam tape off A/C unit and replace with furnished double sided foam tape.
- C. Apply furnished new FOAM pieces
- D. Install TUFF/MAXX cover while sliding forward to Compress FOAM pieces. Align cover with existing mounting holes or Studs.
- E. Install Stainless Steel Fender Washers and nuts or existing bolts.

For assistance call MaxxAir customer service at  
800-780-9893

NOTE: This product has a Limited Lifetime Warranty to the original purchaser. Retain proof of purchase should you need to call.

REV. June 2009



### **KIT INCLUDES:**

- (1) TUFF / MAXX COVER
- (4) FENDER WASHERS
- (2) PIECES FOAM TAPE
- (2) PIECES FOAM
- (4) 1/4 - 20 SS NUTS