

MaxxFan Model 5100-6903

RV FAN POWERED ROOF VENT WITH A BUILT-IN RAIN COVER THAT PROVIDES RAIN FREE VENTILATION



CSA (Canadian Standards Association) Tested and Approved. Meets UL 507 Standard

FEATURES

- MaxxFan, a new, one-of-a kind ventilator system that protects your RV interior - always - in any weather - rain or shine
- Brings in fresh air and removes hot musty air and odors
- A complete all in one system that fits standard 14" x 14" inch RV roof openings
- Standard MaxxFan models open and close like most standard roof vents using a manual knob located at the ceiling
- OEM MaxxFan models include the manual knob for opening and closing the roof vent and also include an automatic roof vent lifting motor. The manual knob can be used to open or close the vent lid in an emergency.
- Includes a powerful 3 or 4 speed fan, thermostat, air intake and exhaust functions
- Easy to remove interior insect screen, simply rotate four retaining knobs to remove for cleaning, no tools required
- Features a powerful, fuse protected, sealed ball bearing, 12 volt fan motor and a 12 inch, 10 bladed fan
- Provides over 900 CFM of airflow on High using 4.2 amps, medium one 617 CFM at 1.84 amps, medium two 730 CFM at 2.53 amps, and 500 CFM on Low at 1.45 amps
- Limited 2 year warranty
- All mounting screws and hardware included. (Roof sealant must be purchased separately)

HOUSING

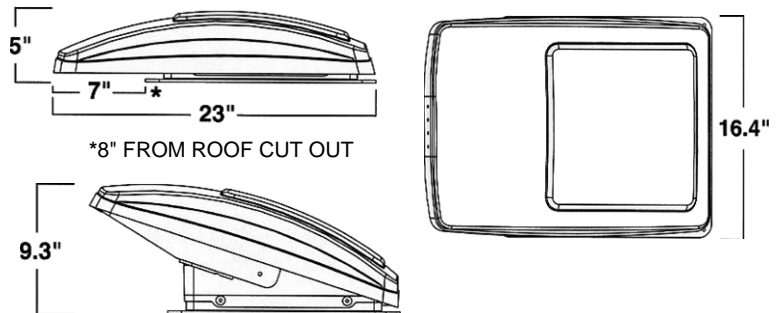
- Vent Cover White: HDPE (High Density Polyethylene) with UV inhibitors and white color concentrate. Vent is translucent.
- Vent Cover Smoke: P.C. (Polycarbonate) with U.V. stabilizers and tinted color. Vent is transparent.
- Housing, Roof Flange and related molded components: A.S.A (Acrylonitrile Styrene Acrylate). Best known outdoor resin available. Sun resistant, heat resistant, good impact properties. Material is custom colored, opaque.
- Fan Blade: P.C. (Polycarbonate) with U.V. stabilizers. Fan blade is clear.
- Nuts, bolts, flat washers, lock washers and screws are stainless steel. Other fasteners (screw clips) are corrosion resistant, automotive grade steel.

OEM WALL CONTROLS

- LCD - Model 5500, white (includes roof mounting flange, fan assembly, LCD wall control and data cable). P/N 00-055000
- LCD - Model 6600, Black, Smoke Tint Lid (includes roof mounting flange, fan assembly, LCD wall control and data cable). P/N 00-066000
- 2 Switch - Model 5300, White (includes roof mounting flange, fan assembly, 2 switch wall control and wall power cable). P/N 00-053000
- 2 Switch - Model 6400, Black, Smoke Tint Lid (includes roof mounting flange, fan assembly, 2 switch wall control and wall power cable). P/N 00-064000
- 4 Switch - Model 5900, white (includes roof mounting flange, fan assembly, 4 switch wall control and data cable). P/N 00-059000
- 4 Switch - Model 6900, Black, Smoke Tint Lid (includes roof mounting flange, fan assembly, 4 switch wall control and data cable). P/N 00-069000

Warranty

- The factory warranty shall be a two year limited Warranty.



SPECIFICATIONS:

Rooftop Weight (lbs)	13.5			
Performance	Fan Speed			
	Low	*Medium 1	Medium 2	High
Air Volume (CFM)	500	617	730	Over 900
Power Consumption (Current)	1.45	1.84	2.53	4.2
Speed (RPM)	815	890	936.8	1223
Noise (sones)	1.66	XXX	4.11	7.46

All MaxxFan Models CSA (Canadian Standards Association) Tested and Approved. Meets UL 507 Standard



* This speed only available with 4 speed models

ELECTRICAL

- Fan Motor : Custom wound for MaxxAir Vent Corporation, this reversible, 6 amp. 12vdc motor has been tested to provide thousands of hours of service. The high heat windings are further protected by an internal auto-resetable thermal breaker in case of a locked rotor or shorted condition that would elevate heat beyond its safe preset range. Long life quiet brushes further enhance performance.
- Vent Lid Gear Motor : Used on all automatic vent lid opening models. This 12vdc gear motor has been tested to provide thousands of vent lid cycles. Power is automatically removed from the vent lid gear motor when the electronic circuit board senses the vent lid is fully open or closed. This motor is protected by an auto-resetable Positive Temperature Coefficient (PTC) thermal breaker that protects it against foreign obstructions. The lid gear motor is strong enough to open and close the vent lid while the vehicle is traveling.
- Control Boards: Our high strength circuit boards with "beefed up traces" are extremely durable. The circuit boards are solidly secured to the Control Plate with three stainless #6 screws. An AMP Connector is used to attach power wires to the board so there is no confusion in the circuitry or poor connections during or after manufacture. It can only be attached one way.
- Wiring, General: UL approved custom made per our specifications, 16 gauge, jacketed (UV resistant), copper stranded and color coded. Linked to easy to follow assembly instructions at our facility, this tough, moisture proof, UV resistant wire is always properly installed. Insulated terminals and multiple connectors provide maximum protection against electrical arc during or after installation (from vibration etc.).
- Fuse Holder: All of the MaxxFan Models contain this device that is located on the Control Plate making it easily accessible to the end user. It houses an 8 amp. Slow Blow Glass Fuse . You simply rotate the spring loaded cap to replace the fuse.